

LED Exterior Wall Sconce

EW62604
INSTALLATION SHEET

START FROM HERE

- Make sure **POWER** is **COMPLETELY OFF** at the fuse box
- Have your fixture installed by a qualified licensed electrician
- Prepare everything in a clear area
- Wear gloves at all times during this installation
- Read instructions carefully before you start assembly
- Keep this installation sheet for future reference

Technical Support: 1-855-855-8926

Please Note:

- This Kuzco LED fixture comes with pre-wired LED module(s)
- Unless instructed, Do Not touch any part of the LED module(s) as any unnecessary contact with the module could cause permanent damage

1. Remove fixture from its original package.
2. Separate the backplate (1c) from fixture body (2a) by prying the bottom of the backplate (1c) from the fixture body (2a) until the spring clip (See illustration 2) at the bottom of the fixture body (2a) disengages.
3. Attach backplate (1c) to electrical junction box (1a) using junction box screws provided (1e) in hardware package.
4. Make proper electrical connections (black to hot "L", white to neutral "N", ground to "GND") with wire nuts (1b) provided in hardware package.
5. Attach fixture body (2a) to backplate (1c) by hanging the top of the fixture body (2a) on the lip of backplate (1c). Then press the fixture body (2a) onto the backplate (1c) until the spring clip at the bottom of the fixture body (2a) clicks onto the bottom of the backplate (1c) as shown in Illustration 2.

6. To prevent moisture from entering the electrical junction box (1a) and causing a short, seal around the top and side perimeter between the fixture and the wall surface with weather resistant caulking (Illustration 1). The space at the bottom should be left un-caulked to prevent moisture build up.

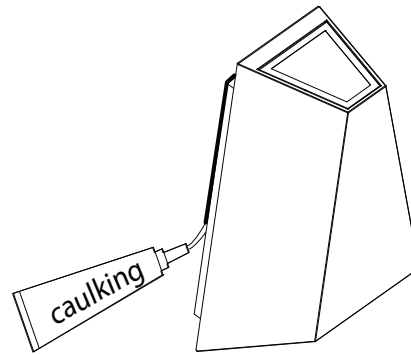


Illustration 1

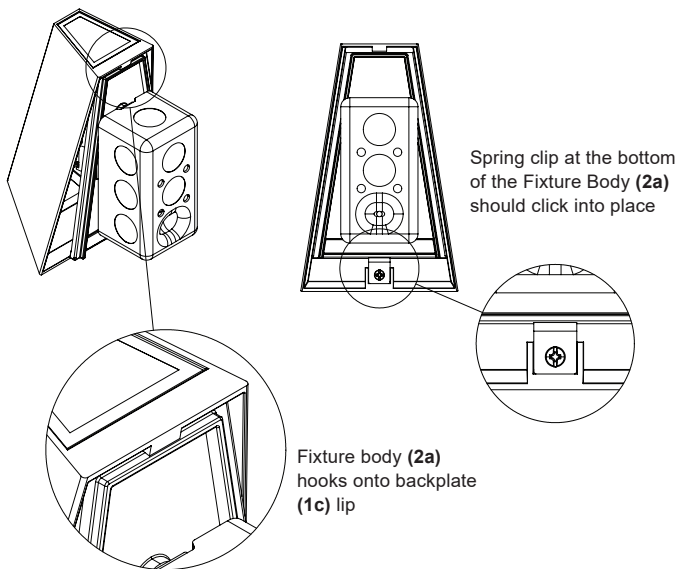
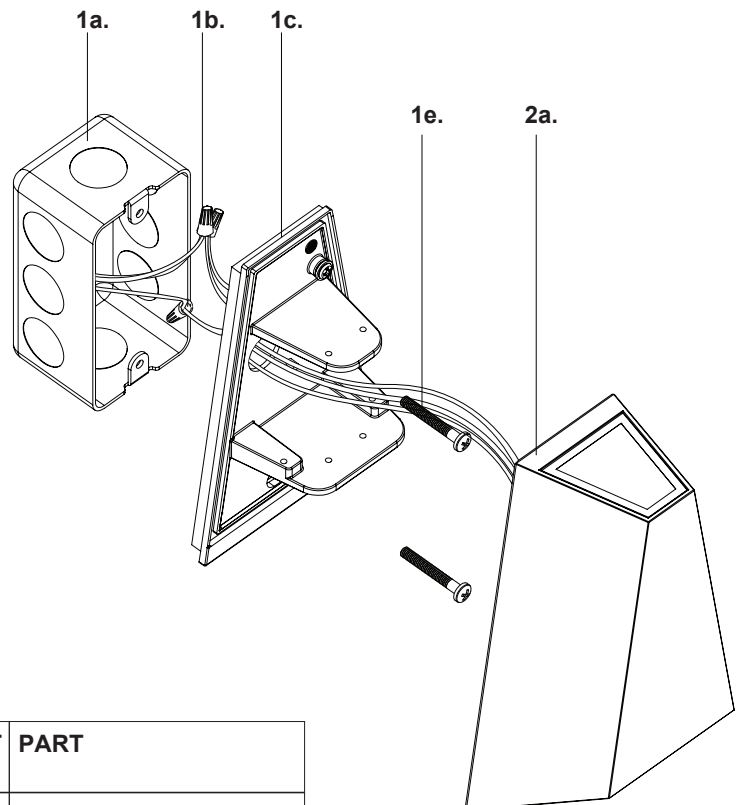


Illustration 2



PRODUCT ID	PART
1e.	XHPP832-8
LED Driver	XDR-HEP-LRTC9-200-120-TR

KUZCO

19054 28th Avenue Surrey, BC Canada V3Z 6M3
T: 604 538 7162 TF: 1-855 85 KUZCO F: 604 538 7196
W: kuzcolighting.com
20200602